



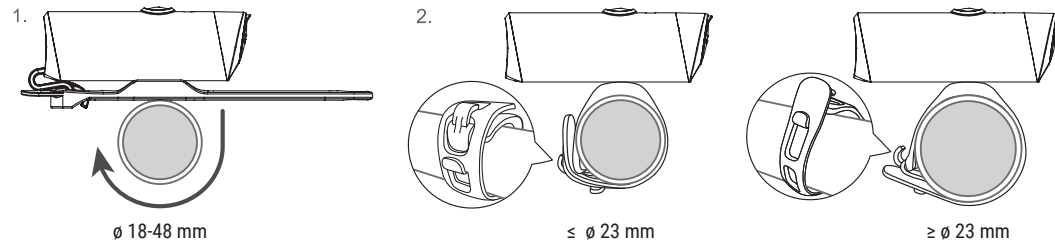
USB RECHARGEABLE HEADLIGHT

Helio 500

PELIS

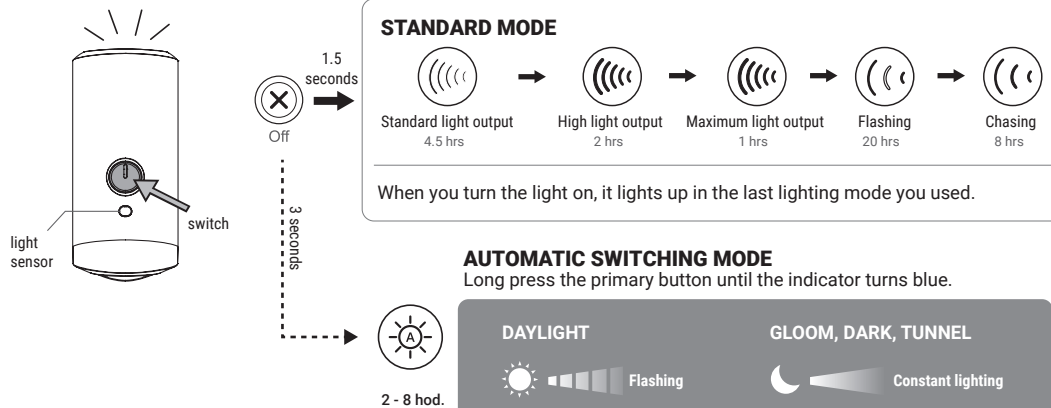
MOUNTING YOUR LIGHT

Install the bracket onto your handlebar.

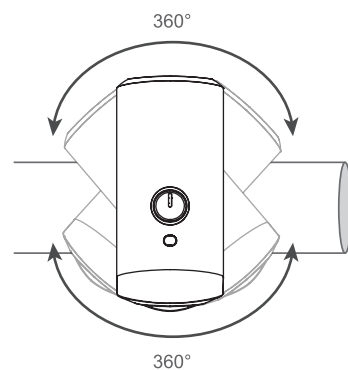


TO SWITCH MODES

Press the button on the top of the light.



THE LIGHT CAN BE ROTATED 360° IN THE HOLDER



BATTERY LEVEL INDICATOR

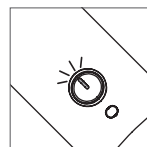
3-level check function shows actual remaining power level (pict. 1)

Standard mode

cca 100 % - 50 %: green
 cca 49 % - 25 %: orange
 cca 24 % - 0 %: red

AUTO mode

cca 100 % - 25 %: blue
 cca 24 % - 0 %: alternately flash red and blue



Double click to show the remaining capacity in mode Power off.

LOW BATTERY REMIND

Less than 25 % battery remaining (approx) (pict. 2)

-In constant mode: circular flashing
 -In flashing mode: pulsed constant lighting



USB RECHARGEABLE HEADLIGHT

Helio 500

PELIS

CHARGING

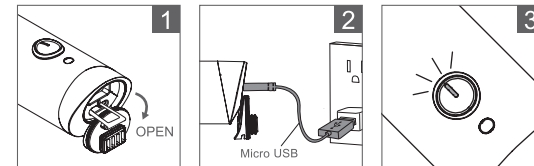
1. Open the rubber cover at the bottom of the light.
2. Plug in provided Micro USB cable then plug into USB port. The light will have a hint to remind when it is power-up.
3. Indicator will show charging status by different colors.

Red: 0 % - 24 % (approx)

Orange: 25 % - 49 % (approx)

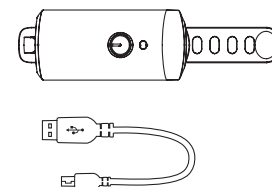
Green: 50 % - 100 % (approx)

Light OFF: Fully Charged



COMPONENTS

Light / USB cable



CAUTION

Please fully charge your product before using it for the first time. Please fully charge your product at least every 3 months. Please keep your product out of the reach of children. Please charge your product with included USB cable; your product may not charge when the connected PC is in sleep mode. It depends on power output at your PC's USB port. Please charge your product with USB ports located at the rear of your main board or it may take longer charging time. Both charging and lighting time are estimated and may vary with operation environment and condition. Your rechargeable battery's capacity may decrease along with its use. The battery can be fully charged and discharged about 300 times. Please use your battery as instructed.

SPECIFICATIONS

Size: 71 x 32 x 23.5 mm
 Weight: 62 g
 LED: 10 Watt White LED
 Battery: Rechargeable Lithium-ion Polymer battery
 Charging time: 5 V / 1 A, 3 hrs
 Accessories: Micro USB cable

WARNING

1. Do not stare directly at LED or into light beam.
2. Avoid contact with lens and cap as they may become hot while in use.
3. Please use DC 5 V (QC 1.0) charger only. Do not use QC 2.0 or 3.0 charging equipment as damage may occur.
4. Discontinue charging immediately while the battery starts hot or smoky.
5. Leave the battery away from high temperature environment.
6. Let battery cool down to ambient temperature before charging.
7. Do not continue charging once fully charged. Please stop charging once indicator light off.

